

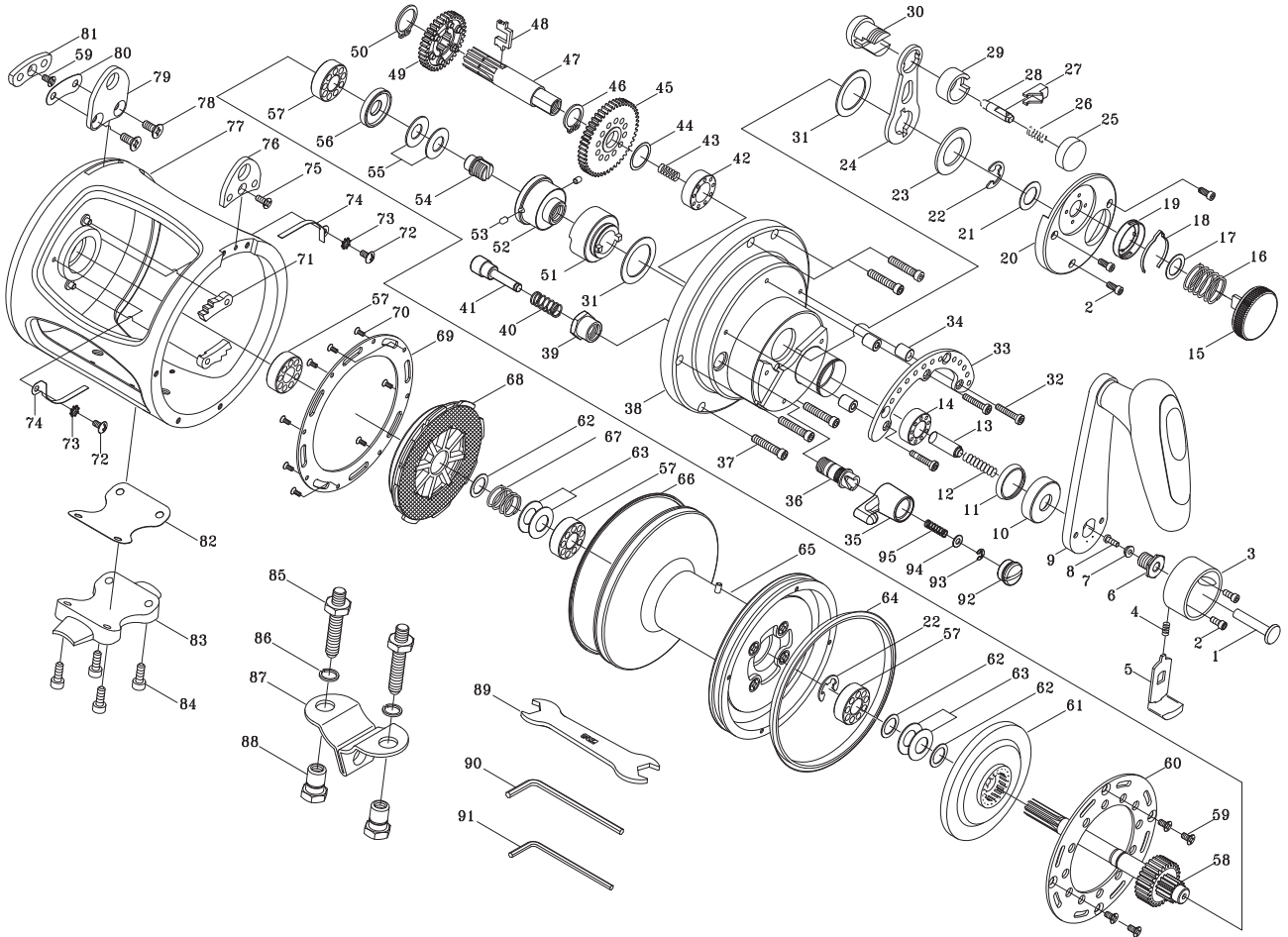
SALTWATER REEL

TICATEAM

50R/WTS

Please order by parts number, not key number  
 Bitte Best.-Nr. angeben (Nicht "key" - nr.)  
 Veuillez indiquer le numero de la pièce (Non "key" no.)

17



18

Key NO.	Parts No.	Parts name	Key NO.	Parts No.	Parts name
1	2S3-017-01	LOW SPEED BUTTON SHAFT	49	2YG-009-01	DRIVE GEAR B ASSEMBLY
2	2E2-078-01	h30M-070 SCREW	50	2E5-033-01	C15 RETAINER
3	2F8-077-01	VARIABLE SPEED BUTTON STAND	51	2A2-051-01	DRAG CAM
4	2Q1-074-01	SLIDE PLATE SPRING	52	2F8-046-01	BEARING HOLDER
5	2S3-015-01	HI-SPEED SLIDE PLATE	53	2P1-018-01	DRAG CAM PIN
6	2E0-021-01	HANDLE BOLT	54	2E0-018-01	PRESET SCREW
7	2C1-065-01	BUTTON SHAFT COLLAR	55	2L1-009-01	SPRING WASHER
8	2E2-031-01	A26M-075 SCREW	56	2C1-053-01	COLLAR
9	2YH-168-01	HANDLE TOTAL ASSEMBLY	57	2Z1-033-05	14308 BALL BEARING
10	2F5-136-01	DRIVE GEAR SHAFT COVER	58	2YG-008-01	PINION GEAR ASSEMBLY
11	2E9-012-01	WATER PROOF RING	59	2E2-056-01	F30M-060 SCREW
12	2Q1-060-01	BUTTON SHAFT SPRING	60	2F3-055-01	CLICK GEAR
13	2P4-010-01	BUTTON SHAFT SPACER BAR	61	2YD-060-01	BRAKE DISC ASSY(R)
14	2Z1-034-05	1019-7 BALL BEARING	62	2W1-095-01	097-140 WASHER
15	2D1-040-01	PRESET DRAG KNOB	63	2L1-011-01	SPRING WASHER
16	2Q1-087-01	COMPRESSION SPRING	64	2E9-021-01	WATER PROOF RING
17	2W1-167-02	102-150 WASHER	65	2Y5-165-01	SPOOL ASSEMBLY
18	2L3-034-01	CLICK LEAF SPRING	66	2E9-020-01	WATER PROOF RING
19	2F8-074-01	CLICK LEAF SPRING HOLDER	67	2Q1-059-01	DRAG SPRING
20	2F5-249-01	FIGHTING LEVER COVER	68	2YD-059-01	BRAKE DISC ASSY(L)
21	2W1-156-01	105-170 WASHER	69	2F5-247-01	BRAKE DISC COVER
22	2E5-022-01	E8.0 RETAINER	70	2E2-030-02	F20M-050 SCREW
23	2W1-155-01	170-280 WASHER	71	2A4-050-02	ANTI-REVERSE PAWL
24	2D4-009-01	FIGHTING LEVER	72	2E2-004-01	B30M-060 SCREW
25	2F5-120-01	BUTTON CAP	73	2E8-004-01	STARWASHER
26	2Q1-028-01	BUSH BUTTON SPRING	74	2L5-007-01	PAWL SPRING
27	2S3-014-01	PUSH BUTTON	75	2E2-011-02	F30M-080 SCREW
28	2YP-001-01	CLICK PIN ASSEMBLY	76	2F6-046-01	HARNES LUG (R)
29	2C1-074-01	SPACER	77	2YB-154-02	BODY ASSEMBLY
30	2F8-076-01	CLICK HOLD	78	2E2-063-01	F40M-100 SCREW
31	2W1-096-01	197-280 WASHER	79	2F6-059-01	HARNES LUG (L)
32	2E2-077-01	h30M-160 SCREW	80	2W5-032-01	HARNES LUG GASKET
33	2F5-134-01	DRAG LEVER QUADRANT	81	2W5-038-01	HARNES LUG(L) SPACER
34	2C1-073-01	QUADRANT SPACER	82	2W5-027-01	STAND GASKET
35	2F7-009-01	CLICK SWITCH	83	2F8-045-02	REEL FOOT
36	2C1-086-02	CLICK TONGUE BUSHING	84	2E2-062-01	H40M-110 SCREW
37	2E2-076-01	h40M-200 SCREW	85	2E0-022-01	CLAMP SCREW
38	2YF-091-02	RIGHT SIDE COVER ASSEMBLY	86	2E4-027-01	RETAINER
39	2E3-067-01	CLICK BUSHING NUT	87	2F6-031-01	ROD CLAMP
40	2Q1-063-01	CLICK BUTTON SPRING	88	2E3-030-01	ROD CLAMP NUT
41	2P1-062-03	CLICK PIN	89	2X3-006-01	WRENCH
42	2Z1-037-05	1221-7 BALL BEARING	90	2X3-007-01	HEX WRENCH
43	2Q1-061-01	YOKE SPRING	91	2X3-009-01	HEX WRENCH
44	2W1-128-01	121-150 WASHER	92	2F5-335-01	CLICK SWITCH COVER
45	2G1-073-01	DRIVE GEAR A	93	2E5-006-01	E2.5 RETAINER
46	2E5-024-01	C12 RETAINER	94	2W1-204-01	034-065 WASHER
47	2M3-057-01	DRIVE SHAFT	95	2Q1-102-01	CLICK PLUNGER SPRING
48	2A2-062-01	YOKE			